

DGTP: PANEL DIGITAL WEIGHT TRANSMITTER/INDICATOR



Multipurpose weight transmitter for panel mounting. Ideal as a microcontroller in industrial weighing and dosage systems making an easier and safer integration of the weighing to any automation system. Fitted with 4 inputs and 6 outputs, programmable. Wide range of available interfaces.

DGTP: panel digital weight transmitter/indicator.

MAIN FEATURES

- Easy to use 5-key waterproof keyboard.
- Highly efficient red LED display with 6 20-mm digits and 6 LEDs for showing active functions.
- Case for panel mounting. Dimensions: 143,5 x 72 x 129mm(lxhxw). Drill template: 135,6 x 66,5 x 120mm(lxhxw).
- A/D 24-bit sigma-delta conversion, up to 200 conv./sec. autoselect.
- Management of a digitally equalised 4-cell weighing system or management of 4 independent weighing systems.
- Connectable with up to 16 analogue load cells with 350 Ohm input resistance.
- Up to 1.000.000 displayable divisions with internal resolution up to 3.000.000 points.
- Calibration, Set-Up parameters, configurable from keyboard or from PC with DINI TOOLS.
- Up to **8 signal linearization points** with DINITOOLS (3 from keypad).
- Fitted real time clock.
- From 12 Vdc to 24 Vdc power supply.

RETAIL • INDUSTRIAL • BAGGING • SERVICE

0845 504 5335
enquires@positiveweighing.co.uk
positiveweighing.co.uk

Unit 8 The Clifton Centre
Spring Lane South
Malvern
WR14 1BJ

Company Reg. No. 4936597
VAT No. 769648756

RETAIL • INDUSTRIAL • BAGGING • SERVICE

MAIN CERTIFICATIONS

- EC Type Approval (EN45501)
- OIML R76
- OIML R61 – MID

I/O SECTION

- 1 RS232/C or RS485 bidirectional port configurable for connection to PC or external units.
- 1 RS232/C bidirectional port configurable for connection to printer.
- PROFIBUS serial interface (DGTPPB model).
- 6 photomofet outputs: 150 mA 48 Vac / 150 mA 60 Vdc (NO), with configurable functions.
- 4 optoisolator photocouplers inputs: 12÷24 Vdc, 5 mA min - 20 mA max, with configurable functions.

16-bit analogue output (DGTPAN model) 4-20mA / 0-5Vdc / 0-10Vdc at choice. Maximum load applicable on the output current: 350Ohm. Minimum load applicable on the output voltage: 10kOhm.

MASTER/REPEATER OPTION (MSTSLV code)

- 1 RS232/C or RS485 bidirectional port configurable for connection to PC or external units.
- 1 RS232/C bidirectional port configurable for connection to printer.
- PROFIBUS serial interface (DGTPPB model).
- 6 photomofet outputs: 150 mA 48 Vac / 150 mA 60 Vdc (NO), with configurable functions.
- 4 optoisolator photocouplers inputs: 12÷24 Vdc, 5 mA min - 20 mA max, with configurable functions.

16-bit analogue output (DGTPAN model) 4-20mA / 0-5Vdc / 0-10Vdc at choice. Maximum load applicable on the output current: 350Ohm. Minimum load applicable on the output voltage: 10kOhm.

RETAIL • INDUSTRIAL • BAGGING • SERVICE

0845 504 5335
enquires@positiveweighing.co.uk
positiveweighing.co.uk

Unit 8 The Clifton Centre
Spring Lane South
Malvern
WR14 1BJ

Company Reg. No. 4936597
VAT No. 769648756

RETAIL • INDUSTRIAL • BAGGING • SERVICE

TRANSMITTER / INDICATOR: FUNCTIONS

- **THROUGH KEYBOARD:**
Zeroing; Semi automatic and presettable tare, print and/or data transmission; ON/Stand-by.
- **SELECTABLE:**
High Resolution Weighing x 10; Net/Gross or lb/kg conversion; Weighs totalisation; Formulation; Counting; In/Out Truck weighing; Hold e Peak.
- **EXTERNAL INPUT:**
Simulation of key pressure; Keyboard lock.
- **MOSFET OUTPUT:**
Set Point Control on the weight, either positive (in loading) or negative (in unloading), or on the pieces (counting mode), with programmable enabling/disabling thresholds, as direct check or upon weight stability.
- **SERIAL PORTS:**
On all models: Reading of the net, gross, and tare weights; Clearing; Semi automatic and presettable tare; Scale switch; Setting of outputs activation thresholds.
DGTP and DGTPAN models: Reading of microvolts or ADC converter for all the channels; Message display; Printing; Setting of APW in counting mode; Simulation of key pressure; **MODBUS serial protocol.**

THROUGH 16 bit ANALOGUE OUTPUT (DGTPAN):

Analogue output proportional to the net or gross weight, either positive (in loading) or negative (in unloading).

- Specific programme for use of the indicator as a universal weight repeater or as a multi-scale repeater (MASTER) in combination with DFW/DGT/MCW.

FUNCTIONING MODES:

- **Multi-scale repeater (MASTER)**
function which allows to repeat up to 32 independent scales, with the possibility of managing their functions, or displaying and printing the sum of the weighs of all the scales.
- **UNIVERSAL weight repeater**
function which allows to repeat the weight of any scales, through the configuration of the input string.

OPTIONAL ACCESSORIES

- Thermal Printer for panel mounting.
- 100-240 VAC 2,1 A 12 Vdc output, switching power adapter.
- RS232-Ethernet Converter for Panel Mounting

RETAIL • INDUSTRIAL • BAGGING • SERVICE

0845 504 5335
enquires@positiveweighing.co.uk
positiveweighing.co.uk

Unit 8 The Clifton Centre
Spring Lane South
Malvern
WR14 1BJ

Company Reg. No. 4936597
VAT No. 769648756

RETAIL • INDUSTRIAL • BAGGING • SERVICE

Dimensions

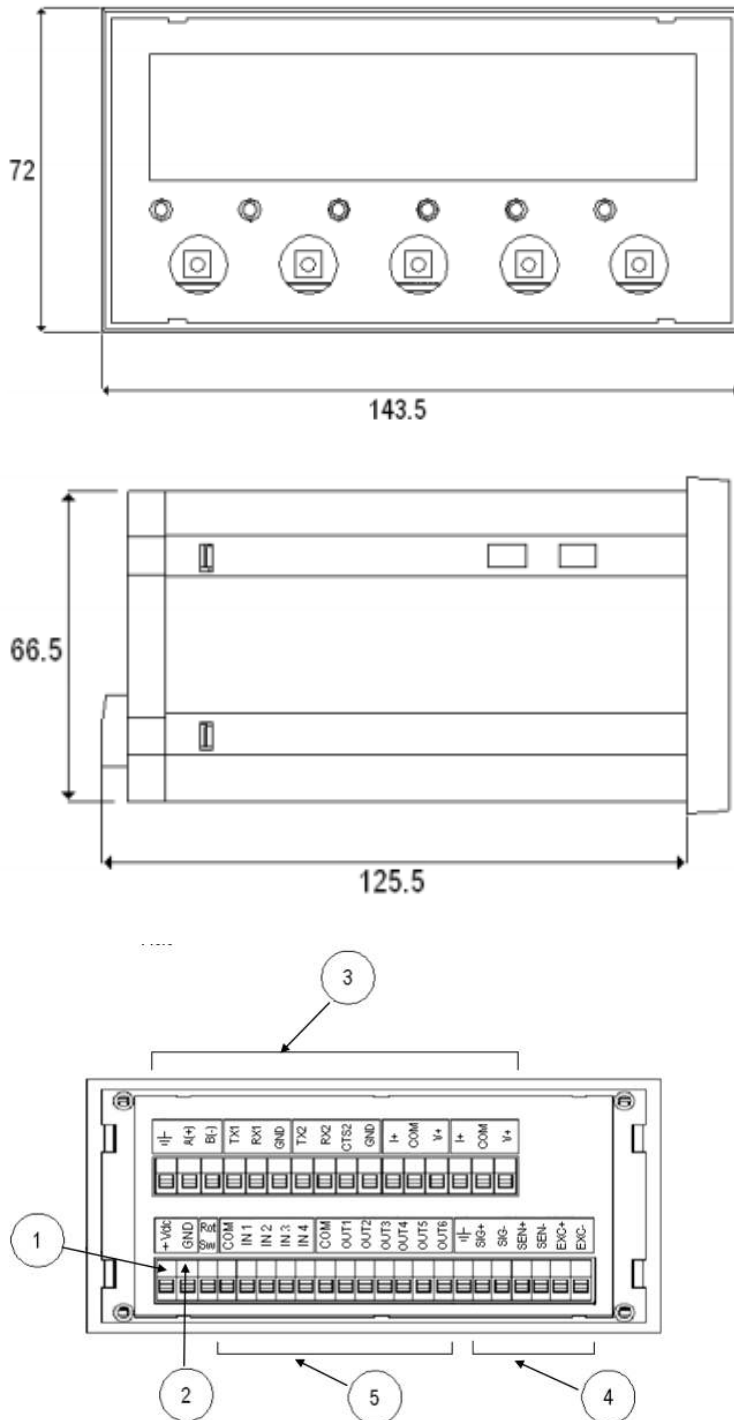


Figure 3.9 – Measurements and dimensions in mm

- 1) Power supply cable input.
- 2) GND power supply input.
- 3) Connections for serial lines / analogic output.
- 4) Connection for load cell.
- 5) Connections for inputs / outputs.

RETAIL • INDUSTRIAL • BAGGING • SERVICE

0845 504 5335
enquires@positiveweighing.co.uk
positiveweighing.co.uk

Unit 8 The Clifton Centre
Spring Lane South
Malvern
WR14 1BJ

Company Reg. No. 4936597
VAT No. 769648756

RETAIL • INDUSTRIAL • BAGGING • SERVICE