



The perfect portable balance when cost matters and dependable results are a must!

The OHAUS CS Compact Scale is a lightweight, portable scale perfectly suited for use in laboratory, industrial, education and home use applications. Applications can include forensic testing, quality control, formulation, soil sampling, postal weighing and dietary needs.

Standard Features Include:

- **Superior RF Protection** – The CS is designed with superior RF protection to deliver accurate and stable results when used in production areas or near cell phones. Approvals for electrical and emissions include CE listed and FCC Class B Part 15 operation.
- **Large Stainless Steel Weighing Platform** – The CS is designed with a large weighing platform and can adequately handle large samples including oversized letters. In addition, the standard stainless steel platform is removable for easy cleaning.
- **Compact Design** – The CS has a low profile design and is truly portable when powered by three “AA” batteries (included). A standard AC adapter can also be used to power the CS, when used in a more permanent location.

CS Series Compact Scales

Specifications

Model	CS200	CS600	CS2000	CS5000
Capacity x Readability (g)	200 g x 0.1 g	600 g x 0.1 g	2000 g x 1 g	5000 g x 1 g
Repeatability (Std. dev.) (g)	0.1	0.1	1	1
Linearity (g)	±0.1	±0.1	±1	±1
Weighing units	g, lb:oz, Newton			
Zero range	To capacity by subtraction			
Stabilization time	3 seconds			
Optimum operating temp.	18°-25°C 18°C at 10% to 80% relative humidity, non-condensing			
Power requirements	3-AA alkaline batteries (included) or AC adapter (included)			
Calibration	User calibration from keypad			
Auto shut-off	5 minutes no activity (battery operation only)			
Display (mm)	LCD (11)			
Pan size L x W (cm)	14.5 x 13.3			
Dimensions L x W x H (cm)	20.3 x 14.0 x 3.8			
Net Weight (g)	470			

Standard Features

Easy operation with 2 clearly marked buttons, low battery indicator and auto shut-off feature to conserve battery life, mechanical and software overload protection to protect weighing cell from damage, external push button calibration (calibration masses not included).

Options and Accessories

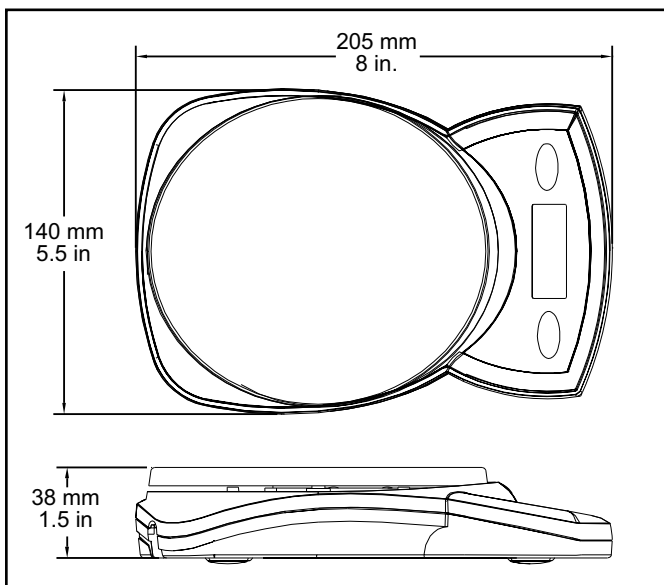
Ohaus Number

1050 ml capacity plastic bowl 80850075
 Calibration masses Call Ohaus for details

Industry Leading Quality and Support

All Ohaus CS Series scales are manufactured under an ISO 9001:2008 Registered Quality Management System. Our rugged construction and stringent quality control have been hallmarks of all Ohaus products for over a century.

Outline Dimensions



80774369_B 20171019 © Copyright OHAUS Corporation

www.ohaus.com

*ISO 9001:2008
 Registered Quality Management System

